

ilex₅₅

Redefining Mobile Imaging

A State-of-the-Art Display Solution for Vascular, GI and Neurosurgery

The Challenges:

High resolution imaging and data sources are proliferating in operating rooms.

Surgical procedures are rapidly incorporating new imaging modalities and display technologies as they become available for use in the OR.

How can a hospital provide long term image management solutions today to meet the clinical, architectural, and financial needs of tomorrow?

Discover The Ilex 55

An easy-to-position mobile video management system with built-in video integration.

- 55" UHD 4K monitor. Can display up to four 27" diagonal equivalent 1920 x 1080p HD images at one time.
- Intelligent image management: Customize and manage image sources.
- Offload less complicated interventional procedures to any room.
- Easy to install, configure, or upgrade.



Retracted position for room transfer/storage

Variable work height: 20"

The first large field 4K mobile monitor system

Combined with a C-Arm and an imaging table, the Ilex 55 creates a state-of-the-art mobile diagnostic platform that will meet the needs for the vast majority of interventional procedures in hospital and office-based labs.



A veteran-owned company

idi
Image Diagnostics, Inc.
Redefining Mobile Imaging

IDI Ilex 55 Specifications



Overview

- Accepts analog and digital signals from multiple sources including: C-Arm, ultrasound, hemodynamics, microscopes, cameras, image guidance, & PACS
- 55" (140cm) 4K ultra-high resolution medical grade monitor displaying 1, 2 or 4 images at a time
- Motorized column with 20" (51cm) vertical travel
- Three equipment shelves with access to medical grade power strip for connecting auxiliary equipment
- Remote control video formatting
- Bluetooth speaker system
- Built in USB charging station

Stand

- 5" casters (125mm) with three position locking system for easy transport and positioning
- 20" (51cm) motorized vertical travel
- Video input ports: 4) DVI, (2) SDI, (2) VGA, (2) SOG, (2) S video, (2) Display ports
- Bluetooth speaker system



Monitor

- 55" (140cm) TFT LCD (LED)
- 4K resolution, 3840 x 2160 pixels
- Aspect: 16:9
- Contrast Ratio - 1400:1
- Response - 5ms
- Pixel Pitch .315 x .315mm

Options

- DVR video recorder
- Paper printer
- Medical grade router with tablet controller
- Articulating arm
- Accessory baskets

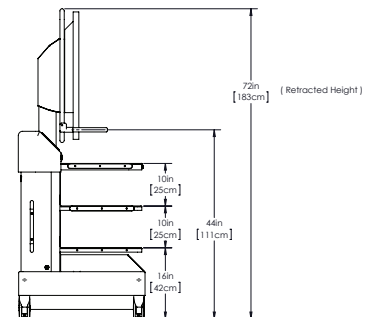
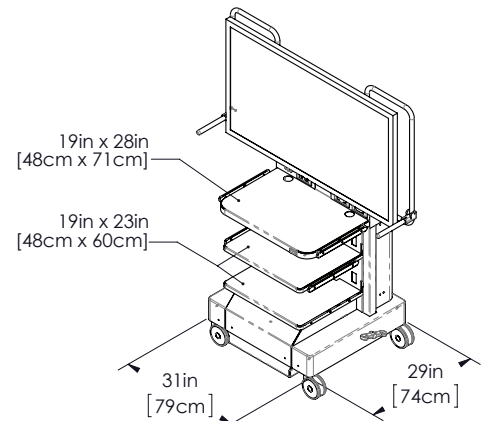


Image Diagnostics

Since 1986, IDI has been a manufacturer of innovative products for surgical, interventional and diagnostic imaging.

IDI is committed to superior product design, value and customer support in everything we do.

Image Diagnostics, Inc.

310 Authority Drive
 Fitchburg, MA, 01420 USA
 Toll free: 877-304-5434
 Tel: 978-829-0009
 Fax: 978-829-0027
 www.imagediagnostics.com

Product specifications are subject to change.

D000-1989